



HACKFOL
ALUMINIUM



**THE LARGEST
RANGE OF
GLASS RAILING &
WINDOW
SYSTEM**





WE DESIGN RAILING SYSTEMS

HACKFOL ALUMINIUM MORE TRANSPARENCY, MORE DESIGN

Hackfol Aluminium is manufacturer of SS Railing Systems under HACKFOL brand. We manufacturing maintenance free railing systems for decks and stairs, fencing, handrails, pool surrounds, and gates to builders, contractors, construction supply companies and installers. Our primary goal is to fulfill the customer requirements on priority and serve the best innovative solution for railings system.

Our product range of SS And Aluminum Glass Bracket, SS And Aluminum Balcony Railing, Aluminum Handrail, 304 Glass Railing Fitting, etc. We direct all our activities to cater the expectations of customers by providing them excellent quality products as per their gratifications

Why Us

We provide a superior quality range of products. We have gained a good reputation in the railing system market. We work long hours in products to meet our customers' requirements and also take care of quality.

- Large Production Capacity
- Production Knowledge Team
- Ethical business policy
- Transparent dealings
- Complete customer satisfaction
- On-time delivery of consignments

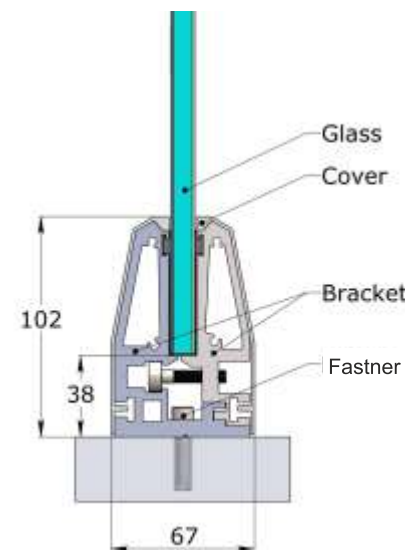
STEP BRACKET & COVER

HA-01



ESSENTIAL DETAILS

- Type** : Bracket & Cover System
- Use** : Indoor & Outdoor
- Material** : Aluminium Alloy 6063-T6
- Length** : **Step Bracket(65mm)**
Step Cover (13 Feet / 16 Feet)
- Weight** : **Step Bracket (Approx. 0.460 kg / Nos.)**
Step Cover (Approx. 0.200-0.220 kg)(1 Feet / 1 Side)
- Finish** : **Natural**
Anodized
Powder Coating
Wooden Coating
PVDF Coating



END CAP

SLOTTED END CAP



Features :

- 100 % Recyclable
- Easy Cleaning
- Maintenance Free
- Weather Proof
- Exact Installation
- Light Weight
- Robust for higher safety

		Recommended Railing Length Chart			
		Balcony Length			
		10 Feet	20 Feet	30 Feet	Unlimited
Glass Height	24 inch	✓	✓	✓	✓
	30 inch	✓	✓	✓	✓
	36 inch	✓	✓		
	42 inch	✓			
Bracket Will Be Fitted At Every 2 Feet					

MODULAR STEP BRACKET & COVER

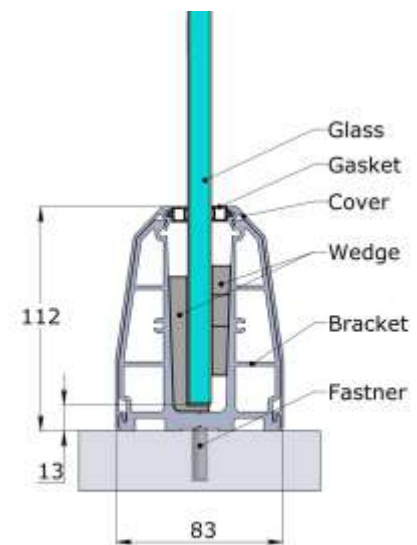


HA-02



ESSENTIAL DETAILS

- Type** : Bracket & Cover System
- Use** : Indoor & Outdoor
- Material** : Aluminium Alloy 6063-T6
- Length** : **Step Bracket(65mm)**
Modular Cover (13 Feet / 16 Feet)
- Weight** : **Modular Step Bracket (Approx. 0.340 kg / Nos.)**
Modular Cover (Approx. 0.160-0.180 kg)(1 Feet / 1 Side)
EPDM Gasket (Approx. 0.018 kg)(1 Feet / 1 Side)
- Finish** : Natural
Anodized
Powder Coating
Wooden Coating
PVDF Coating



END CAP

SLOTTED END CAP



Features :

- 100 % Recyclable
- Easy Cleaning
- Maintenance Free
- Weather Proof
- Exact Installation
- Light Weight
- Robust for higher safety

Recommended Railing Length Chart

		Balcony Length			
		10 Feet	20 Feet	30 Feet	Unlimited
Glass Height	24 inch	✓	✓	✓	✓
	30 inch	✓	✓	✓	✓
	36 inch	✓	✓	✓	
	42 inch	✓	✓		

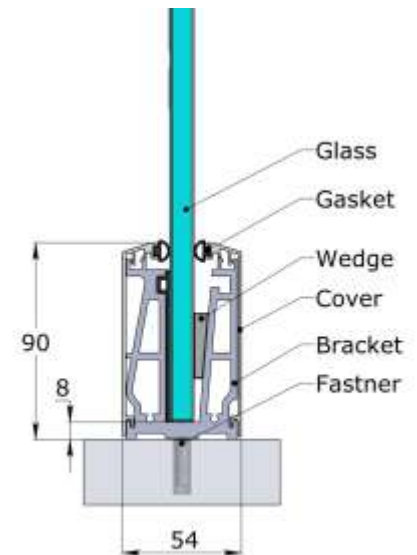
SQUARE BRACKET & COVER

HA-03



ESSENTIAL DETAILS

- Type** : Bracket & Cover System
- Use** : Indoor & Outdoor
- Material** : Aluminium Alloy 6063-T6
- Length** : **Step Bracket(65mm)**
Modular Cover (13 Feet / 16 Feet)
- Weight** : **SquareBracket(Approx.0.250kg/Nos.)**
SquareCover (Approx.0.160-0.180kg)(1Feet/1Side)
EPDM Gasket (Approx. 0.016 kg)(1 Feet / 1 Side)
- Finish** : Natural
Anodized
Powder Coating
Wooden Coating
PVDF Coating



END CAP

SLOTTED END CAP



Features :

- 100 % Recyclable
- Easy Cleaning
- Maintenance Free
- Weather Proof
- Exact Installation
- Light Weight
- Robust for higher safety

		Recommended Railing Length Chart			
		Balcony Length			
		10 Feet	20 Feet	30 Feet	Unlimited
Glass Height	24 inch	✓	✓	✓	✓
	30 inch	✓	✓	✓	✓
	36 inch	✓	✓		
	42 inch	✓			

Bracket Will Be Fitted At Every 2 Feet

HEAVY ROUND BRACKET & COVER

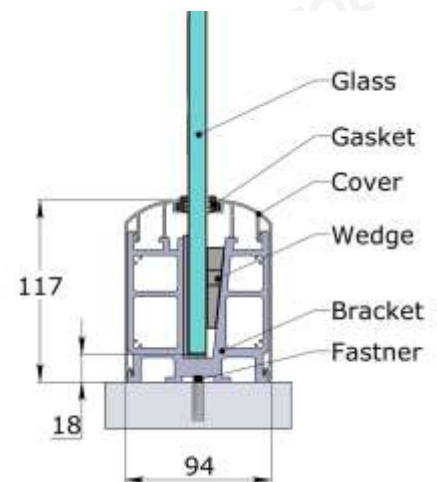


HA-04



ESSENTIAL DETAILS

- Type** : Bracket & Cover System
- Use** : Indoor & Outdoor
- Material** : Aluminium Alloy 6063-T6
- Length** : **Step Bracket(65mm)**
Modular Cover (13 Feet / 16 Feet)
- Weight** : **Heavy RoundBracket(Approx.0.480kg/Nos.)**
HeavyRoundCover (Approx.0.220-0.240kg)(1Feet/1Side)
EPDM Gasket (Approx. 0.016 kg)(1 Feet / 1 Side)
- Finish** : **Natural**
Anodized
Powder Coating
Wooden Coating
PVDF Coating



END CAP

SLOTTED END CAP



Features :

- 100 % Recyclable
- Easy Cleaning
- Maintenance Free
- Weather Proof
- Exact Installation
- Light Weight
- Robust for higher safety

Recommended Railing Length Chart

		Balcony Length			
		10 Feet	20 Feet	30 Feet	Unlimited
Glass Height	24 inch	✓	✓	✓	✓
	30 inch	✓	✓	✓	✓
	36 inch	✓	✓	✓	
	42 inch	✓	✓	✓	

Bracket Will Be Fitted At Every 2 Feet

HEAVY SQUARE BRACKET & COVER

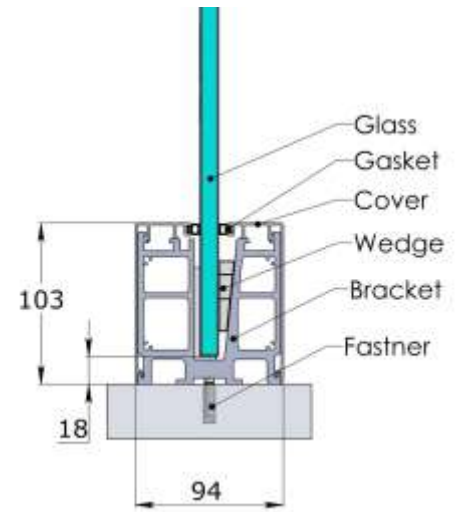


HA-05



ESSENTIAL DETAILS

- Type** : Bracket & Cover System
- Use** : Indoor & Outdoor
- Material** : Aluminium Alloy 6063-T6
- Length** : **Step Bracket(65mm)**
Modular Cover (13 Feet / 16 Feet)
- Weight** : **HeavySquareBracket(Approx.0.480kg/Nos.)**
HeavySquareCover (Approx.0.200-0.220kg)(1Feet/1Side)
EPDM Gasket (Approx. 0.016 kg)(1 Feet / 1 Side)
- Finish** : **Natural**
Anodized
Powder Coating
Wooden Coating
PVDF Coating



END CAP

SLOTTED END CAP



Features :

- 100 % Recyclable
- Easy Cleaning
- Maintenance Free
- Weather Proof
- Exact Installation
- Light Weight
- Robust for higher safety

Recommended Railing Length Chart

		Balcony Length			
		10 Feet	20 Feet	30 Feet	Unlimited
Glass Height	24 inch	✓	✓	✓	✓
	30 inch	✓	✓	✓	✓
	36 inch	✓	✓	✓	
	42 inch	✓	✓	✓	

Bracket Will Be Fitted At Every 2 Feet

HEAVY BRACKET & COVER

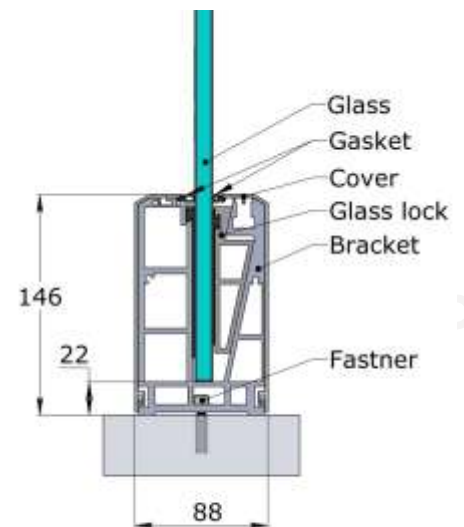


HA-06



ESSENTIAL DETAILS

- Type** : Bracket & Cover System
- Use** : Indoor & Outdoor
- Material** : Aluminium Alloy 6063-T6
- Length** : **Step Bracket(65mm)**
Modular Cover (13 Feet / 16 Feet)
- Weight** : **HeavyBracket(Approx.0.680kg/Nos.)**
HeavyCover (Approx.0.350-0.80kg(1Feet/1Side)
EPDM Gasket (Approx. 0.013 kg)(1 Feet / 1 Side)
- Finish** : **Natural**
Anodized
Powder Coating
Wooden Coating
PVDF Coating



END CAP

SLOTTED END CAP



Features :

- 100 % Recyclable
- Easy Cleaning
- Maintenance Free
- Weather Proof
- Exact Installation
- Light Weight
- Robust for higher safety

Recommended Railing Length Chart

		Balcony Length			
		10 Feet	20 Feet	30 Feet	Unlimited
Glass Height	24 inch	✓	✓	✓	✓
	30 inch	✓	✓	✓	✓
	36 inch	✓	✓	✓	✓
	42 inch	✓	✓	✓	✓

Bracket Will Be Fitted At Every 2 Feet

ANONYMOUS (1) BRACKET & COVER

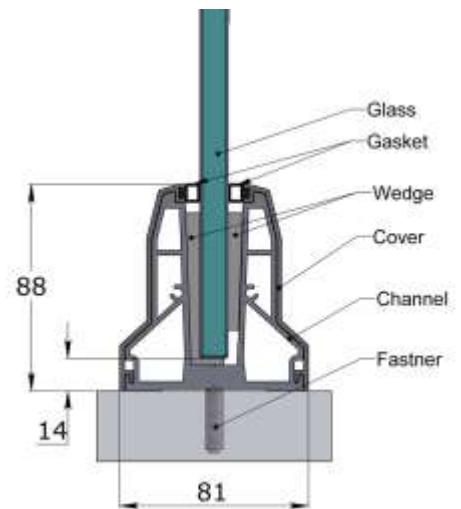


HA-07



ESSENTIAL DETAILS

- Type** : Bracket & Cover System
- Use** : Indoor & Outdoor
- Material** : Aluminium Alloy 6063-T6
- Length** : **Step Bracket(65mm)**
Modular Cover (13 Feet / 16 Feet)
- Weight** : **HeavyBracket(Approx.0.240kg/Nos.)**
HeavyCover (Approx.0.180-0.200kg)(1Feet/1Side)
EPDM Gasket (Approx. 0.016 kg)(1 Feet / 1 Side)
- Finish** : Natural
Anodized
Powder Coating
Wooden Coating
PVDF Coating



END CAP

SLOTTED END CAP



Features :

- 100 % Recyclable
- Easy Cleaning
- Maintenance Free
- Weather Proof
- Exact Installation
- Light Weight
- Robust for higher safety

Recommended Railing Length Chart

		Balcony Length			
		10 Feet	20 Feet	30 Feet	Unlimited
Glass Height	24 inch	✓	✓	✓	✓
	30 inch	✓	✓	✓	✓
	36 inch	✓	✓		
	42 inch	✓			

Bracket Will Be Fitted At Every 2 Feet

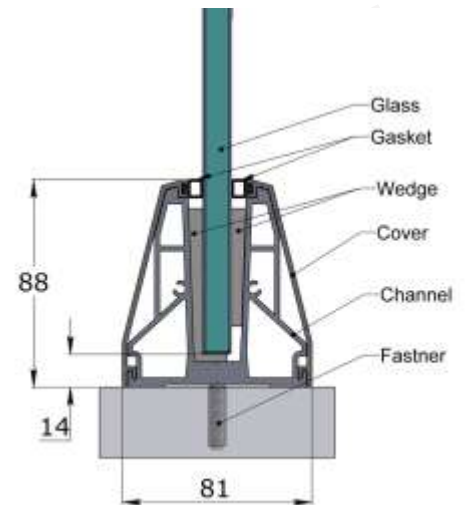
ANONYMOUS (2) BRACKET & COVER

HA-08



ESSENTIAL DETAILS

- Type** : Bracket & Cover System
- Use** : Indoor & Outdoor
- Material** : Aluminium Alloy 6063-T6
- Length** : **Step Bracket(65mm)**
Modular Cover (13 Feet / 16 Feet)
- Weight** : **HeavyBracket(Approx.0.240kg/Nos.)**
HeavyCover (Approx.0.170-0.190kg) (1Feet/1Side)
EPDM Gasket (Approx. 0.016 kg)(1 Feet / 1 Side)
- Finish** : **Natural**
Anodized
Powder Coating
Wooden Coating
PVDF Coating



END CAP

SLOTTED END CAP



Features :

- 100 % Recyclable
- Easy Cleaning
- Maintenance Free
- Weather Proof
- Exact Installation
- Light Weight
- Robust for higher safety

		Recommended Railing Length Chart			
		Balcony Length			
		10 Feet	20 Feet	30 Feet	Unlimited
Glass Height	24 inch	✓	✓	✓	✓
	30 inch	✓	✓	✓	✓
	36 inch	✓	✓		
	42 inch	✓			

Bracket Will Be Fitted At Every 2 Feet

40 X 30 CONTINUOUS CHANNEL

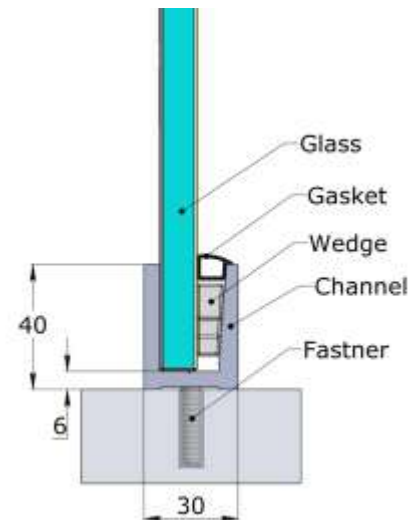


HA-09



ESSENTIAL DETAILS

- Type** : Bracket & Cover System
- Use** : Indoor & Outdoor
- Material** : Aluminium Alloy 6063-T6
- Length** : 13 Feet / 16 Feet
- Weight** : **Approx.0.400-0.440kg/Feet**
EPDM Gasket (Approx. 0.058 kg/Feet)
- Finish** : Natural
Anodized
Powder Coating
Wooden Coating
PVDF Coating



END CAP



SLOTTED END CAP



Features :

- 100 % Recyclable
- Easy Cleaning
- Maintenance Free
- Weather Proof
- Exact Installation
- Light Weight
- Robust for higher safety

Recommended Railing Length Chart

		Balcony Length			
		10 Feet	20 Feet	30 Feet	Unlimited
Glass Height	24 inch	✓	✓	✓	✓
	30 inch	✓	✓		
	36 inch	✓			
	42 inch				

Anchor & Wedge Will Be Fitted At Every 1 Feet

58 X 32 CONTINUOUS CHANNEL

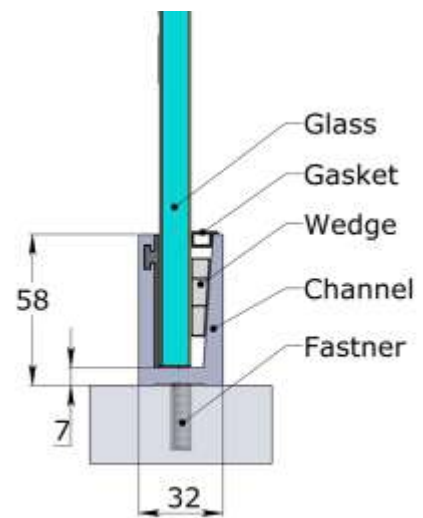


HA-10



ESSENTIAL DETAILS

- Type** : Bracket & Cover System
- Use** : Indoor & Outdoor
- Material** : Aluminium Alloy 6063-T6
- Length** : 13 Feet / 16 Feet
- Weight** : Approx.0.600-0.640kg/Feet
EPDM Gasket(Approx. 0.110 kg/ Feet)
- Finish** : Natural
Anodized
Powder Coating
Wooden Coating
PVDF Coating



END CAP

SLOTTED END CAP



Features :

- 100 % Recyclable
- Easy Cleaning
- Maintenance Free
- Weather Proof
- Exact Installation
- Light Weight
- Robust for higher safety

Recommended Railing Length Chart					
		Balcony Length			
		10 Feet	20 Feet	30 Feet	Unlimited
Glass Height	24 inch	✓	✓	✓	✓
	30 inch	✓	✓	✓	
	36 inch	✓	✓		
	42 inch				

Anchor & Wedge Will Be Fitted At Every 1 Feet

80 X 37 CONTINUOUS CHANNEL

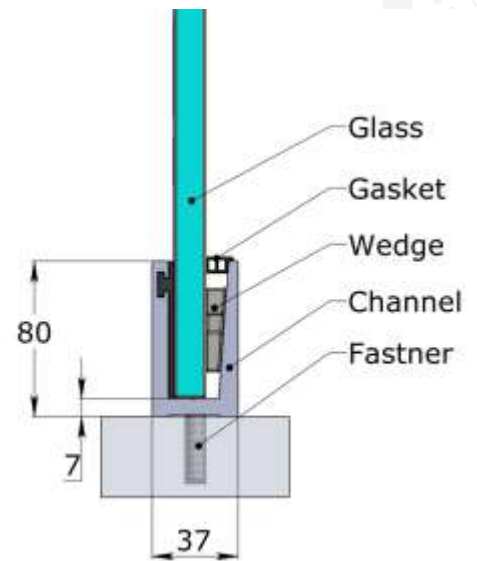


HA-11



ESSENTIAL DETAILS

- Type** : Bracket & Cover System
- Use** : Indoor & Outdoor
- Material** : Aluminium Alloy 6063-T6
- Length** : 13 Feet / 16 Feet
- Weight** : Approx. 0.900-0.950kg/Feet
EPDM Gasket(Approx. 0.110 kg/ Feet)
- Finish** : Natural
Anodized
Powder Coating
Wooden Coating
PVDF Coating



END CAP

SLOTTED END CAP



Features :

- 100 % Recyclable
- Easy Cleaning
- Maintenance Free
- Weather Proof
- Exact Installation
- Light Weight
- Robust for higher safety

Recommended Railing Length Chart					
		Balcony Length			
		10 Feet	20 Feet	30 Feet	Unlimited
Glass Height	24 inch	✓	✓	✓	✓
	30 inch	✓	✓	✓	✓
	36 inch	✓	✓	✓	
	42 inch	✓	✓		

Anchor & Wedge Will Be Fitted At Every 1 Feet

100 X 37 CONTINUOUS CHANNEL

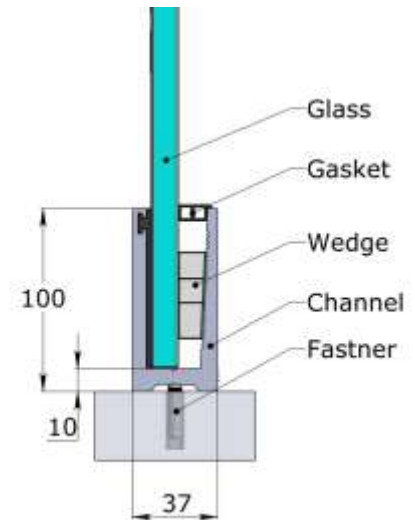


HA-12



ESSENTIAL DETAILS

- Type** : Bracket & Cover System
- Use** : Indoor & Outdoor
- Material** : Aluminium Alloy 6063-T6
- Length** : 13 Feet / 16 Feet
- Weight** : Approx. 1.100kg-1.160kg/Feet
EPDM Gasket(Approx. 0.110 kg/ Feet)
- Finish** : Natural
Anodized
Powder Coating
Wooden Coating
PVDF Coating



END CAP

SLOTTED END CAP



Features :

- 100 % Recyclable
- Easy Cleaning
- Maintenance Free
- Weather Proof
- Exact Installation
- Light Weight
- Robust for higher safety

		Recommended Railing Length Chart			
		Balcony Length			
		10 Feet	20 Feet	30 Feet	Unlimited
Glass Height	24 inch	✓	✓	✓	✓
	30 inch	✓	✓	✓	✓
	36 inch	✓	✓	✓	
	42 inch	✓	✓		

Anchor & Wedge Will Be Fitted At Every 1 Feet

115 X 41 CONTINUOUS CHANNEL

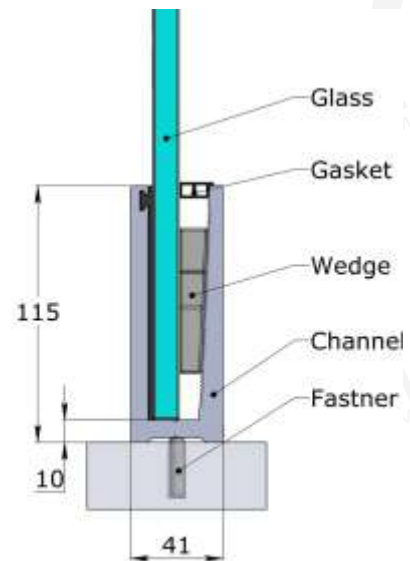


HA-13



ESSENTIAL DETAILS

- Type** : Bracket & Cover System
- Use** : Indoor & Outdoor
- Material** : Aluminium Alloy 6063-T6
- Length** : 12 Feet / 13 Feet
- Weight** : **Approx. 1.400kg-1.470kg/Feet**
EPDM Gasket (Approx. 0.145 kg/ Feet)
- Finish** : **Natural**
Anodized
Powder Coating
Wooden Coating
PVDF Coating



END CAP SLOTTED END CAP



Features :

- 100 % Recyclable
- Easy Cleaning
- Maintenance Free
- Weather Proof
- Exact Installation
- Light Weight
- Robust for higher safety

Recommended Railing Length Chart					
		Balcony Length			
		10 Feet	20 Feet	30 Feet	Unlimited
Glass Height	24 inch	✓	✓	✓	✓
	30 inch	✓	✓	✓	✓
	36 inch	✓	✓	✓	✓
	42 inch	✓	✓	✓	

Anchor & Wedge Will Be Fitted At Every 1 Feet

117 X 45 CONTINUOUS CHANNEL

HA-14

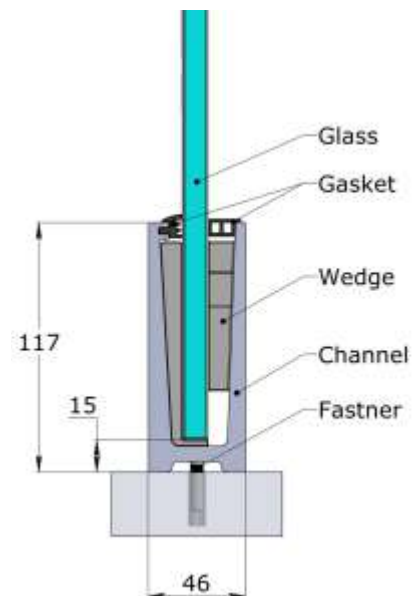


ESSENTIAL DETAILS

- Type** : Bracket & Cover System
- Use** : Indoor & Outdoor
- Material** : Aluminium Alloy 6063-T6
- Length** : 12 Feet / 13 Feet

- Weight** : **Approx. 1.400kg-1.470kg/Feet**
EPDM Gasket (Approx. 0.105 kg/ Feet)

- Finish** : **Natural**
Anodized
Powder Coating
Wooden Coating
PVDF Coating



END CAP SLOTTED END CAP



Features :

- 100 % Recyclable
- Easy Cleaning
- Maintenance Free
- Weather Proof
- Exact Installation
- Light Weight
- Robust for higher safety

		Recommended Railing Length Chart			
		Balcony Length			
Glass Height	24 inch	✓	✓	✓	✓
	30 inch	✓	✓	✓	✓
	36 inch	✓	✓	✓	✓
	42 inch	✓	✓	✓	

Anchor & Wedge Will Be Fitted At Every 1 Feet

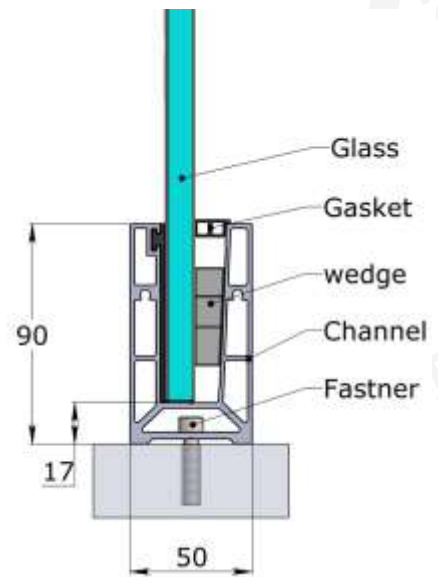
50 X 90 CONTINUOUS CHANNEL

HA-15



ESSENTIAL DETAILS

- Type** : Bracket & Cover System
- Use** : Indoor & Outdoor
- Material** : Aluminium Alloy 6063-T6
- Length** : 13 Feet / 16 Feet
- Weight** : **Approx. 0.900kg-0.950kg/Feet**
EPDM Gasket(Approx. 0.105 kg/ Feet)
- Finish** : Natural
Anodized
Powder Coating
Wooden Coating
PVDF Coating



END CAP SLOTTED END CAP



Features :

- 100 % Recyclable
- Easy Cleaning
- Maintenance Free
- Weather Proof
- Exact Installation
- Light Weight
- Robust for higher safety

Recommended Railing Length Chart					
		Balcony Length			
		10 Feet	20 Feet	30 Feet	Unlimited
Glass Height	24 inch	✓	✓	✓	✓
	30 inch	✓	✓	✓	✓
	36 inch	✓	✓	✓	
	42 inch	✓	✓		

Anchor & Wedge Will Be Fitted At Every 1 Feet

50 X 90 LED CONTINUOUS CHANNEL

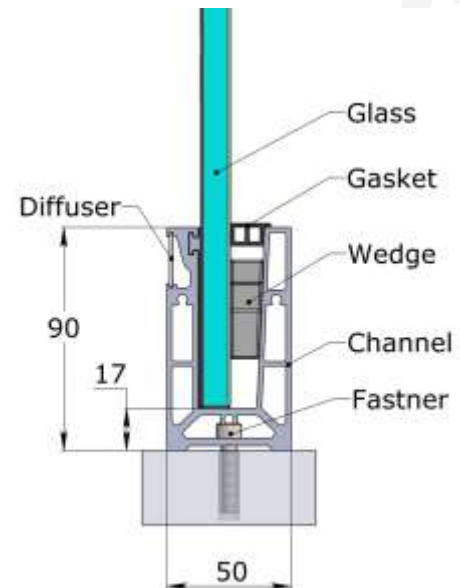


HA-16



ESSENTIAL DETAILS

- Type** : Continuous Profile System
- Use** : Indoor & Outdoor
- Material** : Aluminium Alloy 6063-T6
- Length** : 13 Feet / 16 Feet
- Weight** : Approx.0.900kg-0.950kg/Feet
EPDM Gasket(Approx. 0.105 kg/ Feet)
- Finish** : Natural
Anodized
Powder Coating
Wooden Coating
PVDF Coating



END CAP SLOTTED END CAP



Features :

- 100 % Recyclable
- Easy Cleaning
- Maintenance Free
- Weather Proof
- Exact Installation
- Light Weight
- Robust for higher safety

		Recommended Railing Length Chart			
		Balcony Length			
		10 Feet	20 Feet	30 Feet	Unlimited
Glass Height	24 inch	✓	✓	✓	✓
	30 inch	✓	✓	✓	✓
	36 inch	✓	✓	✓	
	42 inch	✓	✓		

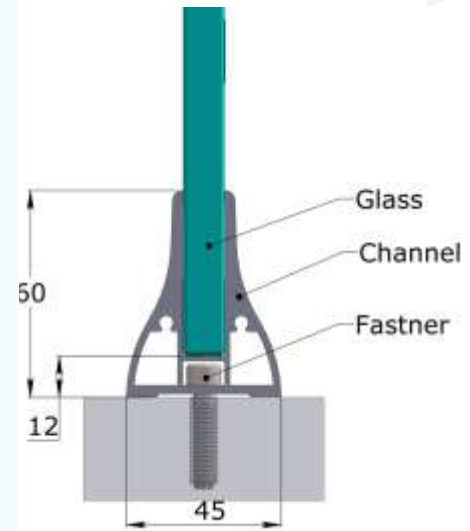
Anchor & Wedge Will Be Fitted At Every 1 Feet



ESSENTIAL DETAILS

- Type** : Continuous Profile System
- Use** : Indoor & Outdoor
- Material** : Aluminium Alloy 6063-T6
- Length** : 13 feet or 16 Feet
- Weight** : Approx. 0.500kg - 0.530kg / Feet

- Finish** : Natural
Anodized
Powder Coating
Wooden Coating
PVDF Coating



END CAP SLOTTED END CAP



Features :

- 100 % Recyclable
- Easy Cleaning
- Maintenance Free
- Weather Proof
- Exact Installation
- Light Weight
- Robust for higher safety

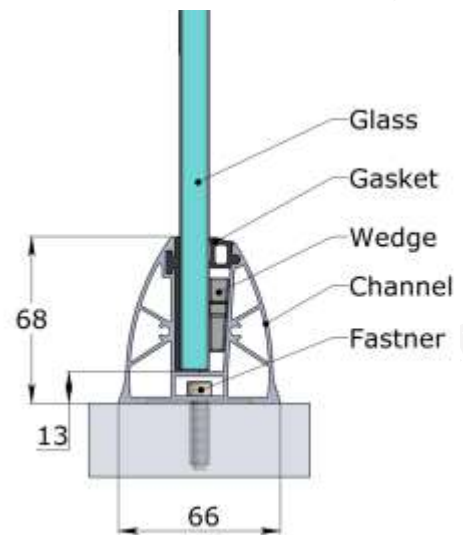
Recommended Railing Length Chart					
		Balcony Length			
		10 Feet	20 Feet	30 Feet	Unlimited
Glass Height	24 inch	✓	✓	✓	
	30 inch	✓	✓		
	36 inch	✓			
	42 inch				

Anchor & Wedge Will Be Fitted At Every 1 Feet



ESSENTIAL DETAILS

- Type** : Continuous Profile System
- Use** : Indoor & Outdoor
- Material** : Aluminium Alloy 6063-T6
- Length** : 13 Feet / 16 Feet
- Weight** : **Approx.0.600kg-0.640kg/Feet**
EPDM Gasket(Approx. 0.090 kg/ Feet)
- Finish** : Natural
Anodized
Powder Coating
Wooden Coating
PVDF Coating



END CAP SLOTTED END CAP



Features :

- 100 % Recyclable
- Easy Cleaning
- Maintenance Free
- Weather Proof
- Exact Installation
- Light Weight
- Robust for higher safety

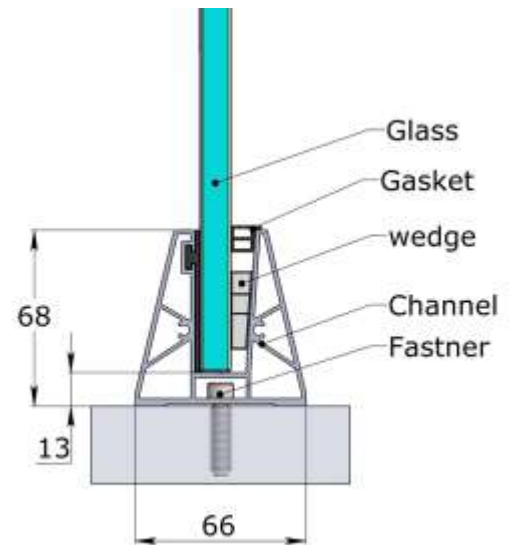
		Recommended Railing Length Chart			
		Balcony Length			
		10 Feet	20 Feet	30 Feet	Unlimited
Glass Height	24 inch	✓	✓	✓	✓
	30 inch	✓	✓	✓	✓
	36 inch	✓	✓		
	42 inch	✓			

Anchor & Wedge Will Be Fitted At Every 1 Feet



ESSENTIAL DETAILS

- Type** : Continuous Profile System
- Use** : Indoor & Outdoor
- Material** : Aluminium Alloy 6063-T6
- Length** : 13 Feet / 16 Feet
- Weight** : **Approx.0.600kg- 0.640kg/Feet**
EPDM Gasket(Approx. 0.105 kg/ Feet)
- Finish** : **Natural**
Anodized
Powder Coating
Wooden Coating
PVDF Coating



END CAP SLOTTED END CAP



Features :

- 100 % Recyclable
- Easy Cleaning
- Maintenance Free
- Weather Proof
- Exact Installation
- Light Weight
- Robust for higher safety

Recommended Railing Length Chart					
		Balcony Length			
		10 Feet	20 Feet	30 Feet	Unlimited
Glass Height	24 inch	✓	✓	✓	✓
	30 inch	✓	✓	✓	✓
	36 inch	✓	✓		
	42 inch	✓			

Anchor & Wedge Will Be Fitted At Every 1 Feet

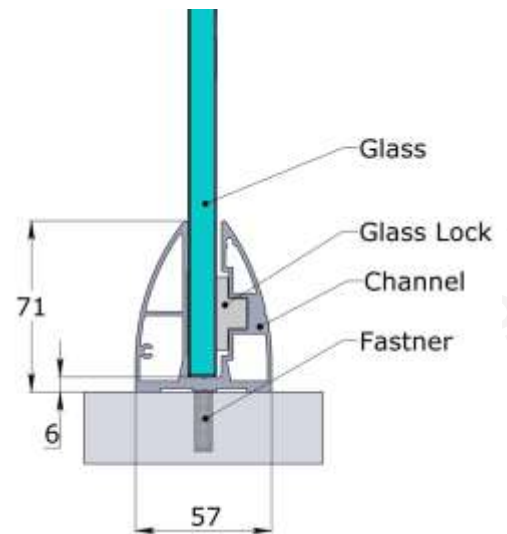
HA-20



ESSENTIAL DETAILS

- Type** : Continuous Profile System
- Use** : Indoor & Outdoor
- Material** : Aluminium Alloy 6063-T6
- Length** : 13 Feet / 16 Feet
- Weight** : 0.720kg - 0.780 kg / Feet

- Finish** : Natural
Anodized
Powder Coating
Wooden Coating
PVDF Coating



END CAP SLOTTED END CAP



Features :

- 100 % Recyclable
- Easy Cleaning
- Maintenance Free
- Weather Proof
- Exact Installation
- Light Weight
- Robust for higher safety

Recommended Railing Length Chart					
		Balcony Length			
		10 Feet	20 Feet	30 Feet	Unlimited
Glass Height	24 inch	✓	✓	✓	✓
	30 inch	✓	✓	✓	✓
	36 inch	✓	✓		
	42 inch	✓			

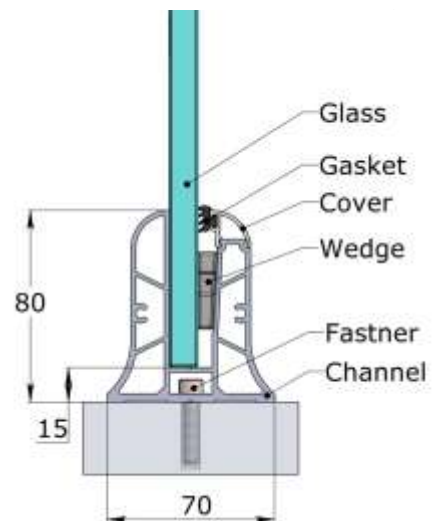
Anchor & Wedge Will Be Fitted At Every 1 Feet

HA-21



ESSENTIAL DETAILS

- Type** : Continuous Profile System
- Use** : Indoor & Outdoor
- Material** : Aluminium Alloy 6063-T6
- Length** : 13 Feet / 16 Feet
- Weight** : Approx.0.850kg-0.900 kg/Feet
EPDM Gasket (Approx. 0.016 kg/ Feet)
- Finish** : Natural
Anodized
Powder Coating
Wooden Coating
PVDF Coating



END CAP SLOTTED END CAP



Features :

- 100 % Recyclable
- Easy Cleaning
- Maintenance Free
- Weather Proof
- Exact Installation
- Light Weight
- Robust for higher safety

Recommended Railing Length Chart					
		Balcony Length			
		10 Feet	20 Feet	30 Feet	Unlimited
Glass Height	24 inch	✓	✓	✓	✓
	30 inch	✓	✓	✓	✓
	36 inch	✓	✓	✓	
	42 inch	✓	✓		

Anchor & Wedge Will Be Fitted At Every 1 Feet

120 X 60 CONTINUOUS CHANNEL

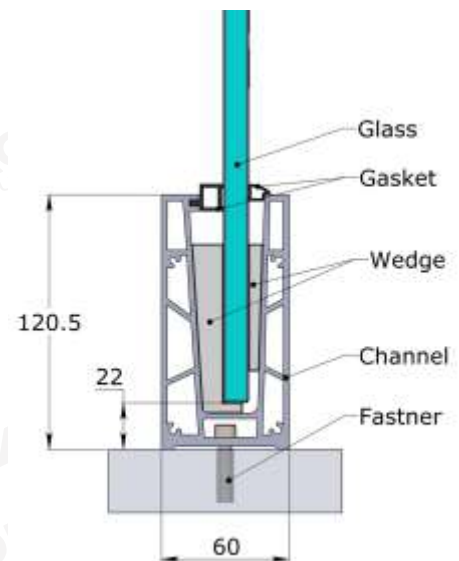


HA-22



ESSENTIAL DETAILS

- Type** : Continuous Profile System
- Use** : Indoor & Outdoor
- Material** : Aluminium Alloy 6063-T6
- Length** : 13 Feet / 16 Feet
- Weight** : **Approx. 1.400kg-1.470 kg/Feet**
EPDM Gasket(Approx. 0.105 kg/ Feet)
- Finish** : **Natural**
Anodized
Powder Coating
Wooden Coating
PVDF Coating



END CAP SLOTTED END CAP



Features :

- 100 % Recyclable
- Easy Cleaning
- Maintenance Free
- Weather Proof
- Exact Installation
- Light Weight
- Robust for higher safety

		Recommended Railing Length Chart			
		Balcony Length			
		10 Feet	20 Feet	30 Feet	Unlimited
Glass Height	24 inch	✓	✓	✓	✓
	30 inch	✓	✓	✓	✓
	36 inch	✓	✓	✓	✓
	42 inch	✓	✓	✓	✓

Anchor & Wedge Will Be Fitted At Every 1 Feet

125 X 70 CONTINUOUS CHANNEL

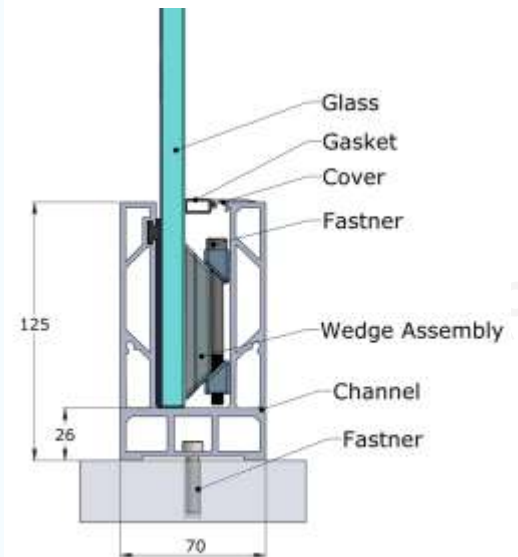


HA-23



ESSENTIAL DETAILS

- Type** : Continuous Profile System
- Use** : Indoor & Outdoor
- Material** : Aluminium Alloy 6063-T6
- Length** : 13 Feet / 16 Feet
- Weight** : **Approx. 1.750kg-1.820 kg/Feet**
EPDM Gasket(Approx. 0.105 kg/ Feet)
- Finish** : **Natural**
Anodized
Powder Coating
Wooden Coating
PVDF Coating



END CAP SLOTTED END CAP



Features :

- 100 % Recyclable
- Easy Cleaning
- Maintenance Free
- Weather Proof
- Exact Installation
- Light Weight
- Robust for higher safety

Recommended Railing Length Chart					
		Balcony Length			
		10 Feet	20 Feet	30 Feet	Unlimited
Glass Height	24 inch	✓	✓	✓	✓
	30 inch	✓	✓	✓	✓
	36 inch	✓	✓	✓	
	42 inch	✓	✓		

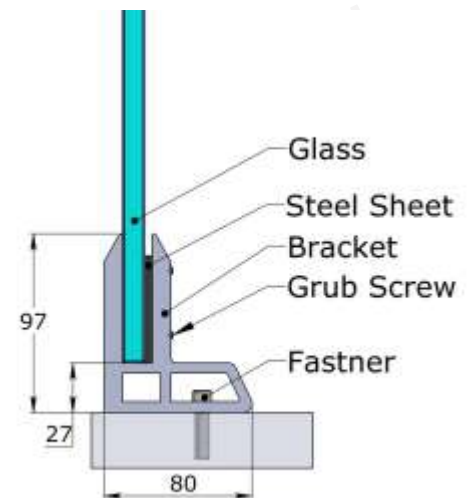
Anchor & Wedge Will Be Fitted At Every 1 Feet



ESSENTIAL DETAILS

- Type** : Bracket System
- Use** : Indoor & Outdoor
- Material** : Aluminium Alloy 6063-T6
- Length** : Bracket (65mm)
- Weight** : Bracket(Approx.0.460kg/Nos)

- Finish** : Natural
Anodized
Powder Coating
Wooden Coating
PVDF Coating



Features :

- 100 % Recyclable
- Easy Cleaning
- Maintenance Free
- Weather Proof
- Exact Installation
- Light Weight
- Robust for higher safety

		Recommended Railing Length Chart			
		Balcony Length			
		10 Feet	20 Feet	30 Feet	Unlimited
Glass Height	24 inch	✓	✓	✓	✓
	30 inch	✓	✓	✓	✓
	36 inch	✓	✓		
	42 inch	✓			

Bracket Will Be Fitted At Every 2 Feet

T- BRACKET

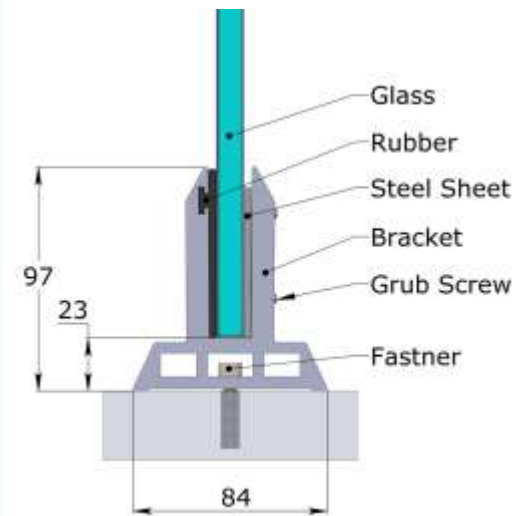
HA-25



ESSENTIAL DETAILS

- Type** : Bracket System
- Use** : Indoor & Outdoor
- Material** : Aluminium Alloy 6063-T6
- Length** : Bracket (65mm)
- Weight** : Bracket (Approx. 0.440kg/Nos.)

- Finish** : Natural
Anodized
Powder Coating
Wooden Coating
PVDF Coating



Features :

- 100 % Recyclable
- Easy Cleaning
- Maintenance Free
- Weather Proof
- Exact Installation
- Light Weight
- Robust for higher safety

		Recommended Railing Length Chart			
		Balcony Length			
Glass Height	24 inch	✓	✓	✓	✓
	30 inch	✓	✓	✓	✓
	36 inch	✓	✓		
	42 inch	✓			

Bracket Will Be Fitted At Every 2 Feet

TOWER BRACKET

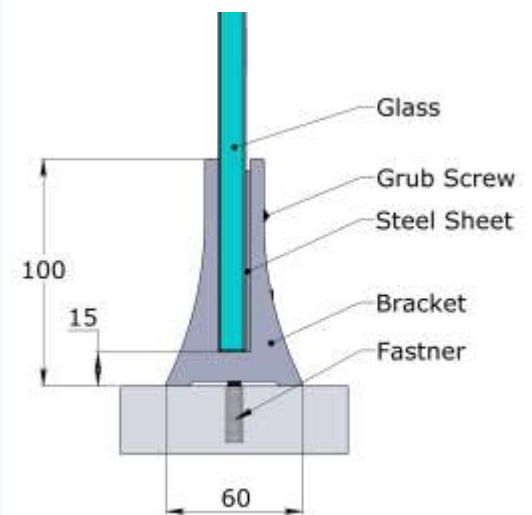
HA-26



ESSENTIAL DETAILS

- Type** : Bracket System
- Use** : Indoor & Outdoor
- Material** : Aluminium Alloy 6063-T6
- Length** : Bracket (50mm)
- Weight** : Bracket(0.310kg/Nos.)

- Finish** : Natural
Anodized
Powder Coating
Wooden Coating
PVDF Coating



Features :

- 100 % Recyclable
- Easy Cleaning
- Maintenance Free
- Weather Proof
- Exact Installation
- Light Weight
- Robust for higher safety

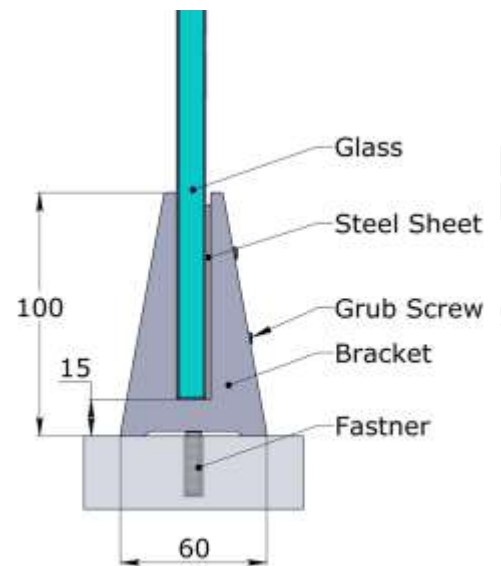
		Recommended Railing Length Chart			
		Balcony Length			
Glass Height	24 inch	✓	✓	✓	✓
	30 inch	✓	✓	✓	✓
	36 inch	✓	✓		
	42 inch	✓			
Bracket Will Be Fitted At Every 2 Feet					



ESSENTIAL DETAILS

- Type** : Bracket System
- Use** : Indoor & Outdoor
- Material** : Aluminium Alloy 6063-T6
- Length** : Bracket (50 mm)
- Weight** : Bracket(0.430kg/Nos.)

- Finish** : Natural
Anodized
Powder Coating
Wooden Coating
PVDF Coating



Features :

- 100 % Recyclable
- Easy Cleaning
- Maintenance Free
- Weather Proof
- Exact Installation
- Light Weight
- Robust for higher safety

		Recommended Railing Length Chart			
		Balcony Length			
		10 Feet	20 Feet	30 Feet	Unlimited
Glass Height	24 inch	✓	✓	✓	✓
	30 inch	✓	✓	✓	✓
	36 inch	✓	✓		
	42 inch	✓			

Bracket Will Be Fitted At Every 2 Feet

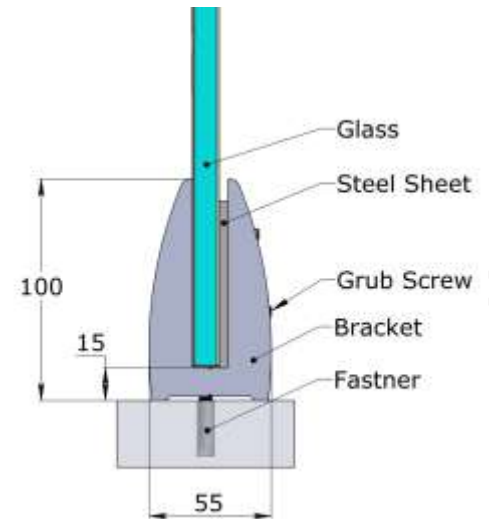
RADIUS BRACKET

HA-28



ESSENTIAL DETAILS

- Type** : Bracket System
- Use** : Indoor & Outdoor
- Material** : Aluminium Alloy 6063-T6
- Length** : Bracket(50mm)
- Weight** : Bracket(0.460kg/Nos.)
- Finish** : Natural
Anodized
Powder Coating
Wooden Coating
PVDF Coating



Features :

- 100 % Recyclable
- Easy Cleaning
- Maintenance Free
- Weather Proof
- Exact Installation
- Light Weight
- Robust for higher safety

		Recommended Railing Length Chart			
		Balcony Length			
		10 Feet	20 Feet	30 Feet	Unlimited
Glass Height	24 inch	✓	✓	✓	✓
	30 inch	✓	✓	✓	✓
	36 inch	✓	✓		
	42 inch	✓			

Bracket Will Be Fitted At Every 2 Feet

HA-29



50 X 36 SPIGOT

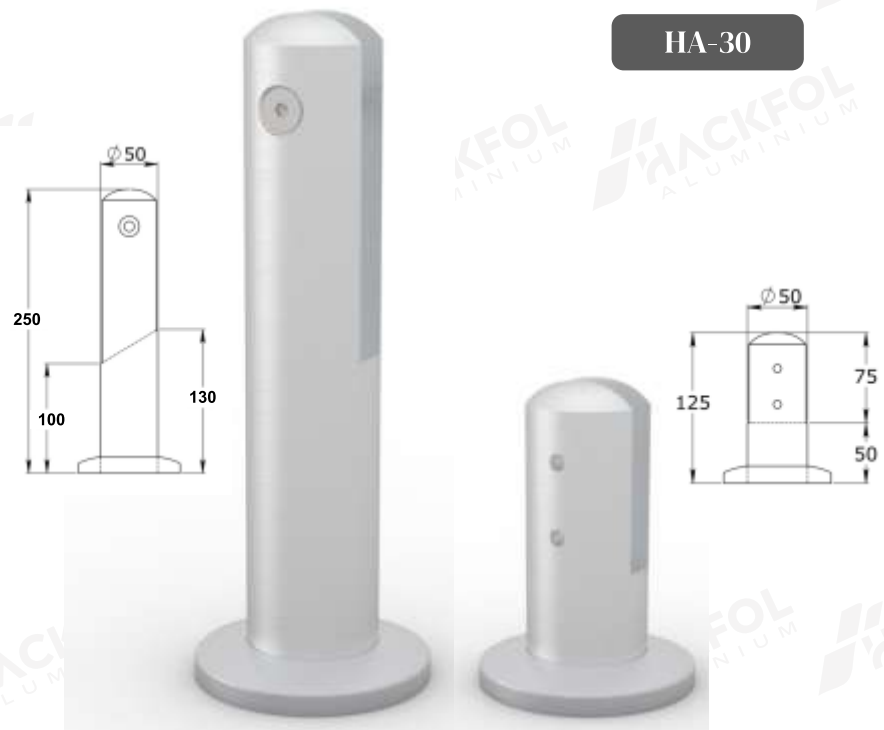
ESSENTIAL DETAILS

- **Type** : Bracket System
- **Use** : Indoor & Outdoor
- **Height** : 10inch and 5 inch
- **Weight** : Spigot 5inch(0.480 kg / Nos.)
Spigot 10inch(0.930 kg / Nos.)
- **Finish** : Natural
Powder Coating
Wooden Coating
PVDF Coating

50MM ROUND SPIGOT

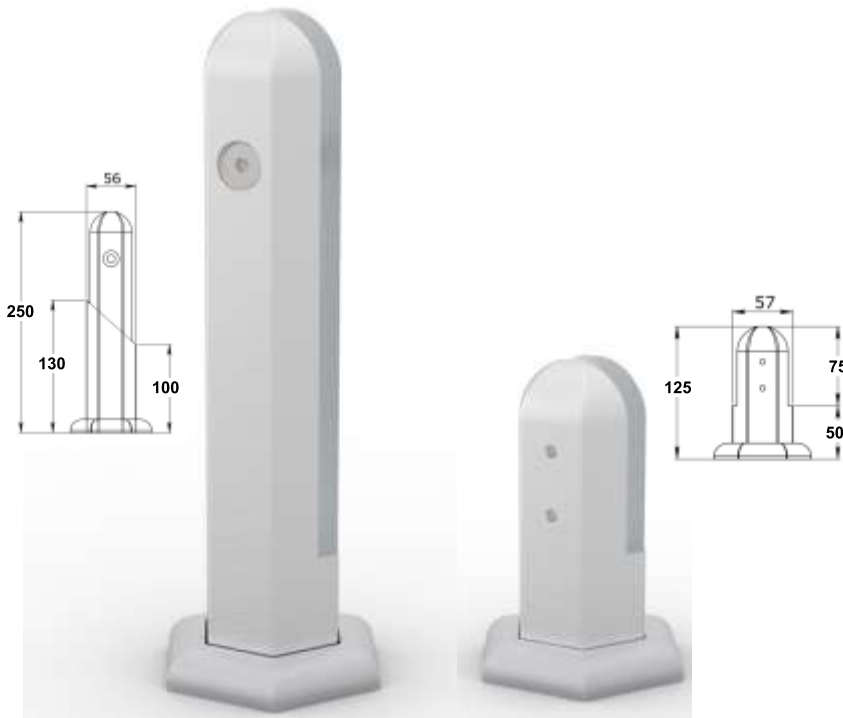
ESSENTIAL DETAILS

- **Type** : Bracket System
- **Use** : Indoor & Outdoor
- **Height** : 10inch and 5 inch
- **Weight** : Spigot 5inch(0.550 kg / Nos.)
Spigot 10inch(1.100 kg / Nos.)
- **Finish** : Natural
Powder Coating
Wooden Coating
PVDF Coating



HA-30

HA-31



HEXAGON SPIGOT

ESSENTIAL DETAILS

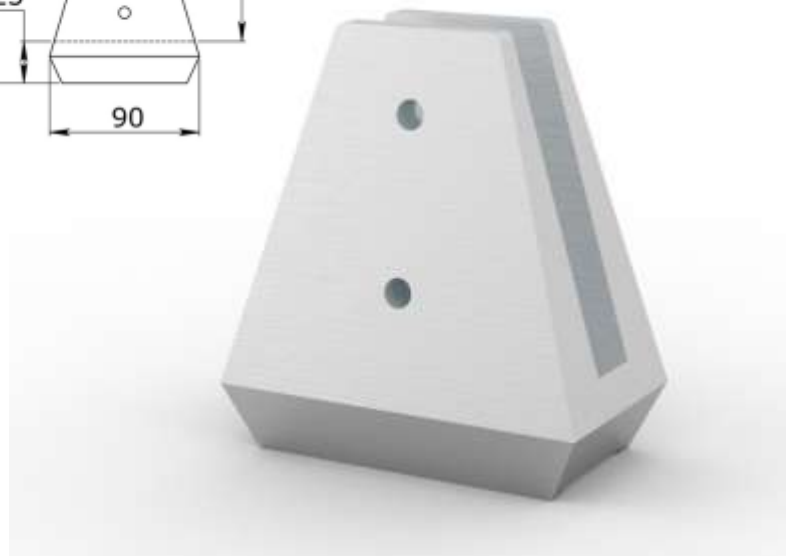
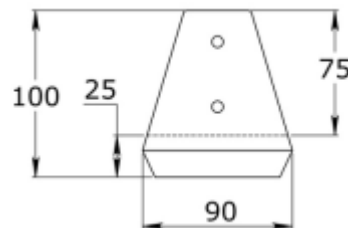
- **Type** : Bracket System
- **Use** : Indoor & Outdoor
- **Height** : 10 inch and 5 inch
- **Weight** : Spigot 5inch(0.580 kg / Nos.)
Spigot 10inch(1.100 kg / Nos.)
- **Finish** : Natural
Powder Coating
Wooden Coating
PVDF Coating

PYRAMID BRACKET

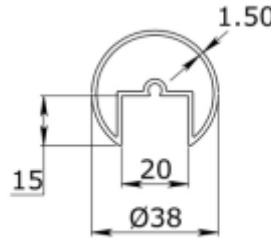
HA-32

ESSENTIAL DETAILS

- **Type** : Bracket System
- **Use** : Indoor & Outdoor
- **Length** : 65mm
- **Finish** : Natural
Powder Coating
Wooden Coating
PVDF Coating



38mm Round



ESSENTIAL DETAILS

- **Use** : Indoor & Outdoor
- **Material**: Aluminium Alloy 6063-T6
- **Length** : 13 feet and 16 feet
- **Weight** : 0.170kg - 0.190kg(1 feet)
EPDMGasket(Approx.0.055kg/Feet)
- **Finish** : Natural
Anodizing
Powder Coating
Wooden Coating
PVDF Coating



Wall Concealed



Connector *

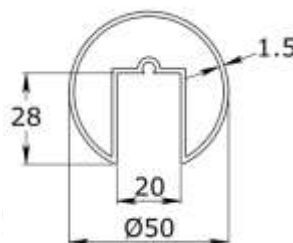


Elbow *



End Cap *

50mm Round



ESSENTIAL DETAILS

- **Use** : Indoor & Outdoor
- **Material**: Aluminium Alloy 6063-T6
- **Length** : 13 feet and 16 feet
- **Weight** : 0.260kg - 0.290kg (1 feet)
EPDMGasket(Approx.0.085kg/Feet)
- **Finish** : Natural
Anodizing
Powder Coating
Wooden Coating
PVDF Coating



Wall Concealed



Connector *



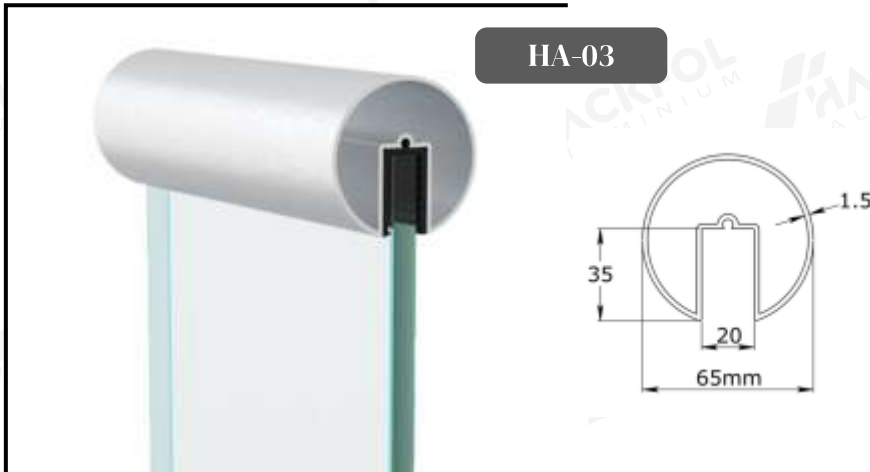
Elbow *



End Cap *

Anodized finish is not available on Connector, Elbow and End Cap accessories.

65mm Round



ESSENTIAL DETAILS

- **Use** : Indoor & Outdoor
- **Material**: Aluminium Alloy 6063-T6
- **Height** : 13 feet and 16 feet
- **Weight** : 0.420kg - 0.460kg (1 feet)
EPDMGasket(Approx.0.090kg/Feet)
- **Finish** : Natural
Anodizing
Powder Coating
Wooden Coating
PVDF Coating



Wall Concealed



Connector *

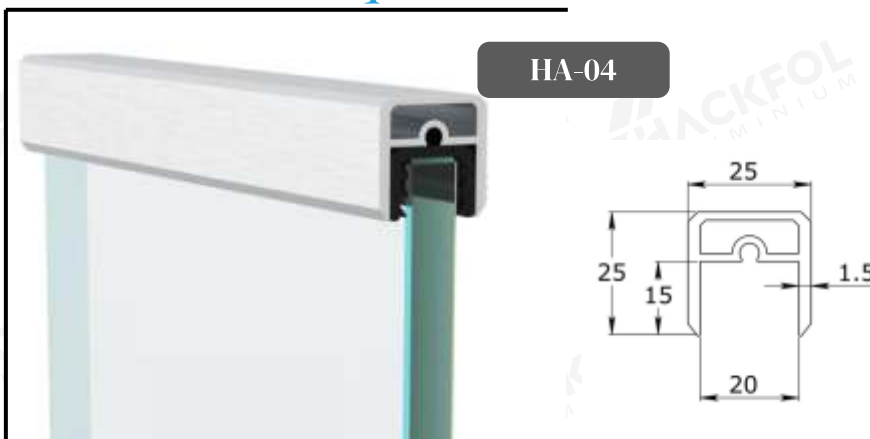


Elbow *



End Cap *

25x25mm Square



ESSENTIAL DETAILS

- **Use** : Indoor & Outdoor
- **Material**: Aluminium Alloy 6063-T6
- **Height** : 13 feet and 16 feet
EPDMGasket(Approx.0.055kg/Feet)
- **Weight** : 0.19 kg
- **Finish** : Natural
Anodizing
Powder Coating
Wooden Coating
PVDF Coating



Wall Concealed



Connector *



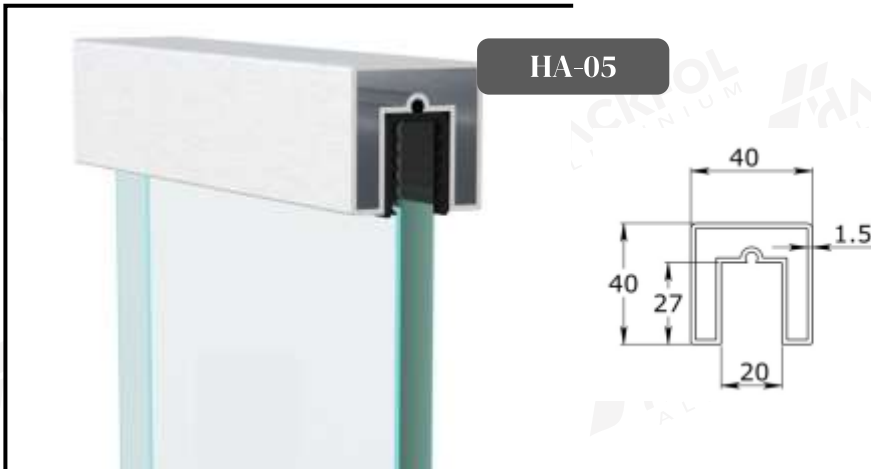
Elbow *



End Cap *

Anodized finish is not available on Connector, Elbow and End Cap accessories.

40x40mm Square



ESSENTIAL DETAILS

- **Use** : Indoor & Outdoor
- **Material**: Aluminium Alloy 6063-T6
- **Height** : 13 feet and 16 feet
EPDM Gasket (Approx. 0.085kg/Feet)
- **Weight** : 0.260kg - 0.290kg (1 feet)
- **Finish** : Natural
Anodizing
Powder Coating
Wooden Coating
PVDF Coating



Wall Concealed



Connector *

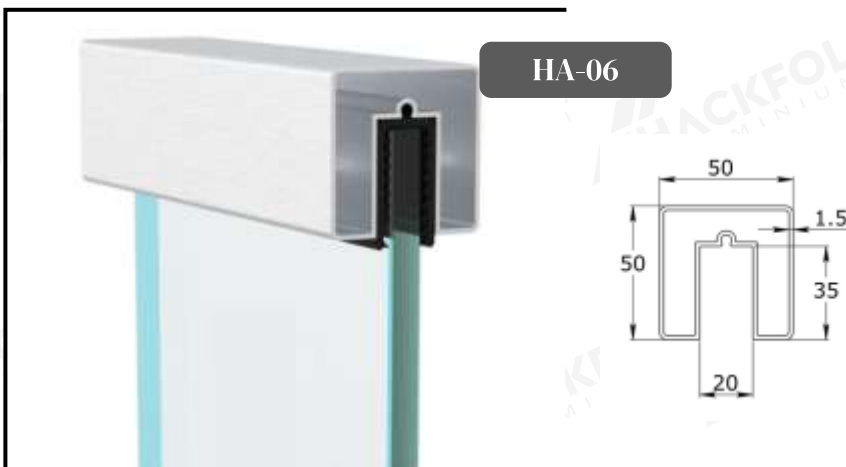


Elbow *



End Cap *

50x50mm Square



ESSENTIAL DETAILS

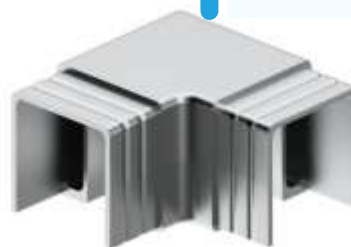
- **Use** : Indoor & Outdoor
- **Material**: Aluminium Alloy 6063-T6
- **Height** : 13 feet and 16 feet
EPDM Gasket (Approx. 0.090kg/Feet)
- **Weight** : 0.360kg - 0.400kg (1 feet)
- **Finish** : Natural
Anodizing
Powder Coating
Wooden Coating
PVDF Coating



Wall Concealed



Connector *



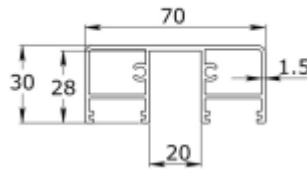
Elbow *



End Cap *

Anodized finish is not available on Connector, Elbow and End Cap accessories.

2 Side LED



ESSENTIAL DETAILS

- **Use** : Indoor & Outdoor
- **Material**: Aluminium Alloy 6063-T6
- **Height** : 13 feet and 16 feet
EPDMGasket(Approx.0.085kg/Feet)
- **Weight** : 0.340kg - 0.380kg (1 feet)
- **Finish** : Natural
Anodizing
Powder Coating
Wooden Coating
PVDF Coating



Wall Concealed



Connector *

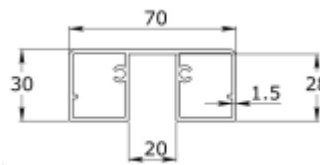


Elbow *



End Cap *

70x30 (Without 2 side LED)



ESSENTIAL DETAILS

- **Use** : Indoor & Outdoor
- **Material**: Aluminium Alloy 6063-T6
EPDMGasket(Approx.0.085kg/Feet)
- **Height** : 13 feet and 16 feet
- **Weight** : 0.320kg - 0.360kg (1 feet)
- **Finish** : Natural
Anodizing
Powder Coating
Wooden Coating
PVDF Coating



Wall Concealed



Connector *



Elbow *

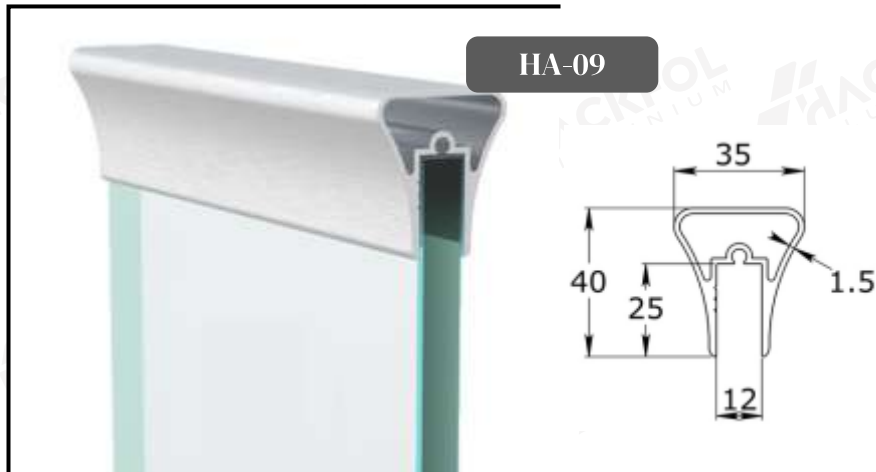


End Cap *

Commercial

ESSENTIAL DETAILS

- **Use** : Indoor & Outdoor
- **Material**: Aluminium Alloy 6063-T6
- **Height** : 13 feet and 16 feet
- **Weight** : 0.220kg - 0.250kg (1 feet)
- **Finish** : Natural Anodizing
Powder Coating
Wooden Coating
PVDF Coating



Wall Concealed



Connector *



Elbow *

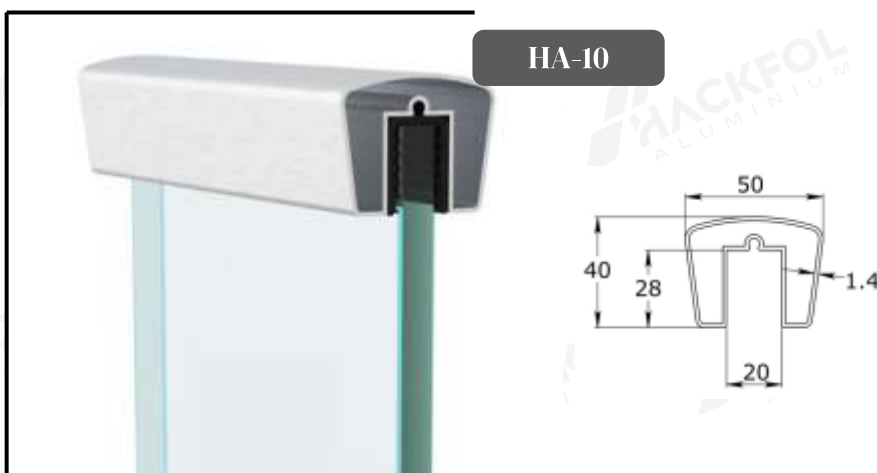


End Cap *

50x40

ESSENTIAL DETAILS

- **Use** : Indoor & Outdoor
- **Material** : Aluminium Alloy 6063-T6
- **Height** : 13 feet and 16 feet
EPDM Gasket (Approx. 0.085kg/Feet)
- **Weight** : 0.250kg - 0.280kg (1 feet)
- **Finish** : Natural Anodizing
Powder Coating
Wooden Coating
PVDF Coating



Wall Concealed



Connector *



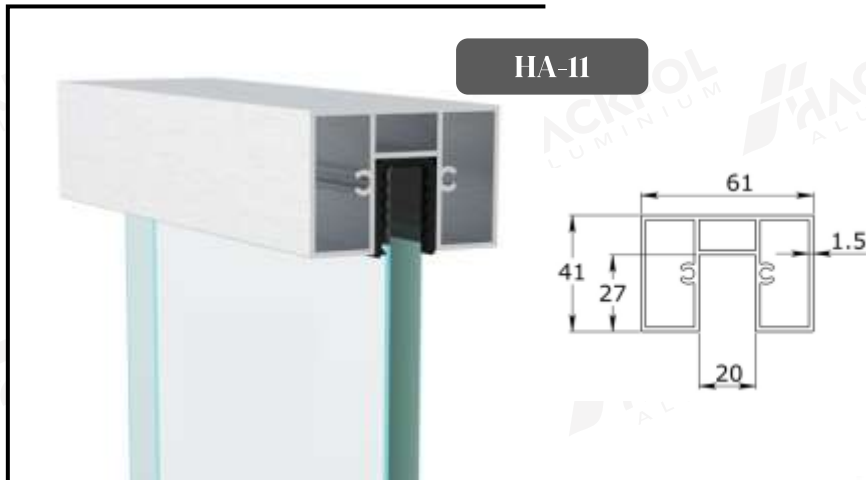
Elbow *



End Cap *

Anodized finish is not available on Connector, Elbow and End Cap accessories.

60x40



ESSENTIAL DETAILS

- **Use** : Indoor & Outdoor
- **Material**: Aluminium Alloy 6063-T6
- **Height** : 13 feet and 16 feet
EPDM Gasket (Approx. 0.085kg/Feet)
- **Weight** : 0.380kg - 0.420kg (1 feet)
- **Finish** : Natural
Anodizing
Powder Coating
Wooden Coating
PVDF Coating



Wall Concealed



Connector *



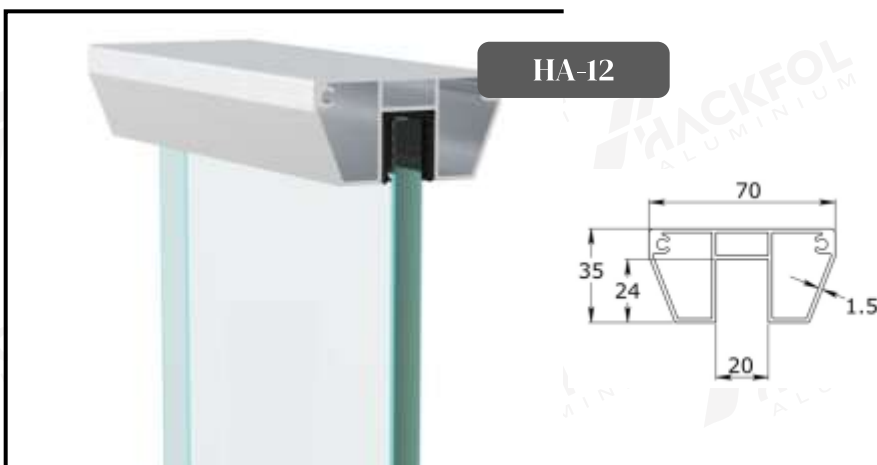
Elbow *



End Cap *



70x35 (Without 1 Side LED)



ESSENTIAL DETAILS

- **Use** : Indoor & Outdoor
- **Material** : Aluminium Alloy 6063-T6
- **Height** : 13 feet and 16 feet
EPDM Gasket (Approx. 0.070kg/Feet)
- **Weight** : 0.360kg - 0.400kg (1 feet)
- **Finish** : Natural
Anodizing
Powder Coating
Wooden Coating
PVDF Coating



Wall Concealed



Connector *



Elbow *



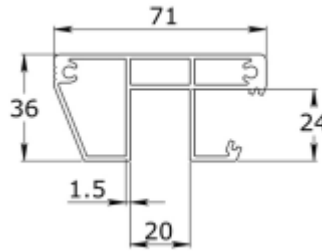
End Cap *

Anodized finish is not available on Connector, Elbow and End Cap accessories.

1 Side LED



HA-13



ESSENTIAL DETAILS

- **Use** : Indoor & Outdoor
- **Material**: Aluminium Alloy 6063-T6
- **Height** : 13 feet and 16 feet
EPDMGasket(Approx.0.070kg/Feet)
- **Weight** : 0.360kg - 0.400kg (1 feet)
- **Finish** : Natural
Anodizing
Powder Coating
Wooden Coating
PVDF Coating



Wall Concealed



Connector *



Elbow *

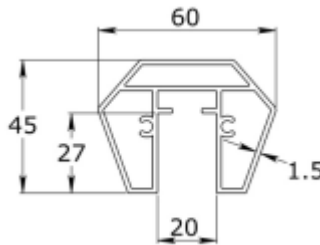


End Cap *

Diamond



HA-14



ESSENTIAL DETAILS

- **Use** : Indoor & Outdoor
- **Material** : Aluminium Alloy 6063-T6
- **Height** : 13 feet and 16 feet
EPDMGasket(Approx.0.085kg/Feet)
- **Weight** : 0.360kg - 0.400kg (1 feet)
- **Finish** : Natural
Anodizing
Powder Coating
Wooden Coating
PVDF Coating



Wall Concealed



Connector *



Elbow *



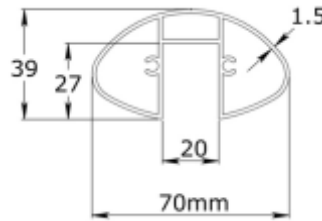
End Cap *

Anodized finish is not available on Connector, Elbow and End Cap accessories.

Eyes



HA-15



ESSENTIAL DETAILS

- **Use** : Indoor & Outdoor
- **Material**: Aluminium Alloy 6063-T6
- **Height** : 13 feet and 16 feet
EPDMGasket(Approx.0.085kg/Feet)
- **Weight** : 0.300kg - 0.330kg (1 feet)
- **Finish** : Natural
Anodizing
Powder Coating
Wooden Coating
PVDF Coating



Wall Concealed



Connector *



Elbow *

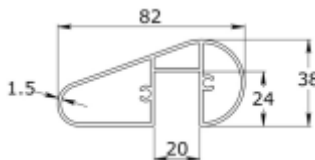


End Cap *

Incline



HA-16



ESSENTIAL DETAILS

- **Use** : Indoor & Outdoor
- **Material** : Aluminium Alloy 6063-T6
- **Height** : 13 feet and 16 feet
EPDMGasket(Approx.0.070kg/Feet)
- **Weight** : 0.340kg - 0.380kg (1 feet)
- **Finish** : Natural
Anodizing
Powder Coating
Wooden Coating
PVDF Coating



Wall Concealed



Connector *



Elbow *



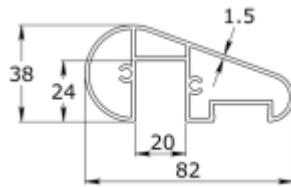
End Cap *

Anodized finish is not available on Connector, Elbow and End Cap accessories.

Incline LED



HA-17



ESSENTIAL DETAILS

- **Use** : Indoor & Outdoor
- **Material**: Aluminium Alloy 6063-T6
- **Height** : 13 feet and 16 feet
EPDM Gasket (Approx. 0.070kg/Feet)
- **Weight** : 0.400 gm (1 feet)
- **Finish** : Natural Anodizing
Powder Coating
Wooden Coating
PVDF Coating



Wall Concealed



Connector *



Elbow *

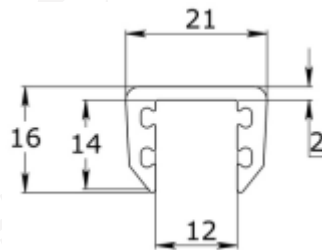


End Cap *

17x19 Slim



HA-18



ESSENTIAL DETAILS

- **Use** : Indoor & Outdoor
- **Material** : Aluminium Alloy 6063-T6
- **Height** : 13 feet and 16 feet
- **Weight** : 0.110 kg (1 feet)
- **Finish** : Natural Anodizing
Powder Coating
Wooden Coating
PVDF Coating



Wall Concealed



Connector *



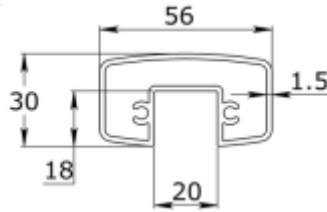
Elbow *

Anodized finish is not available on Connector, Elbow and End Cap accessories.

Small Rightangle



HA-19



ESSENTIAL DETAILS

- **Use** : Indoor & Outdoor
- **Material**: Aluminium Alloy 6063-T6
- **Height** : 13 feet and 16 feet
EPDMGasket(Approx.0.055kg/Feet)
- **Weight** : 0.220kg - 0.250kg (1 feet)
- **Finish** : Natural
Anodizing
Powder Coating
Wooden Coating
PVDF Coating



Wall Concealed



Connector *



Elbow *

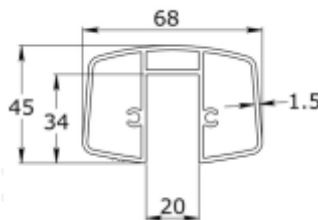


End Cap *

Right Angle



HA-20



ESSENTIAL DETAILS

- **Use** : Indoor & Outdoor
- **Material** : Aluminium Alloy 6063-T6
- **Height** : 13 feet and 16 feet
EPDMGasket(Approx.0.090kg/Feet)
- **Weight** : 0.400kg - 0.440kg (1 feet)
- **Finish** : Natural
Anodizing
Powder Coating
Wooden Coating
PVDF Coating



Wall Concealed



Connector *



Elbow *



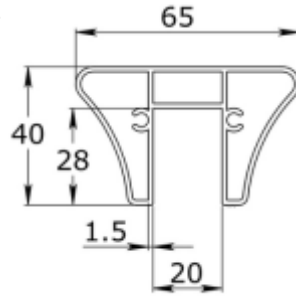
End Cap *

Anodized finish is not available on Connector, Elbow and End Cap accessories.

Triangle



HA-21



ESSENTIAL DETAILS

- **Use** : Indoor & Outdoor
- **Material**: Aluminium Alloy 6063-T6
- **Height** : 13 feet and 16 feet
EPDM Gasket (Approx. 0.085kg/Feet)
- **Weight** : 0.300kg - 0.330kg (1 feet)
- **Finish** : Natural
Anodizing
Powder Coating
Wooden Coating
PVDF Coating



Wall Concealed



Connector *



Elbow *

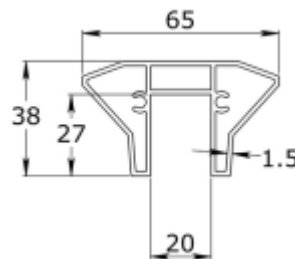


End Cap *

Crystal Diamond



HA-22



ESSENTIAL DETAILS

- **Use** : Indoor & Outdoor
- **Material** : Aluminium Alloy 6063-T6
- **Height** : 13 feet and 16 feet
EPDM Gasket (Approx. 0.085kg/Feet)
- **Weight** : 0.300kg - 0.330kg (1 feet)
- **Finish** : Natural
Anodizing
Powder Coating
Wooden Coating
PVDF Coating



Wall Concealed



Connector *



Elbow *



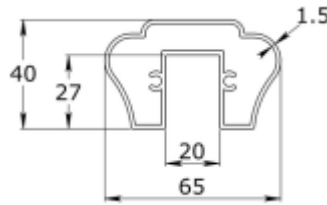
End Cap *

Anodized finish is not available on Connector, Elbow and End Cap accessories.

Flower



HA-23



ESSENTIAL DETAILS

- **Use** : Indoor & Outdoor
- **Material**: Aluminium Alloy 6063-T6
- **Height** : 13 feet and 16 feet
EPDMGasket(Approx.0.085kg/Feet)
- **Weight** : 0.320kg - 0.350kg (1 feet)
- **Finish** : Natural
Anodizing
Powder Coating
Wooden Coating
PVDF Coating



Wall Concealed



Connector *



Elbow *

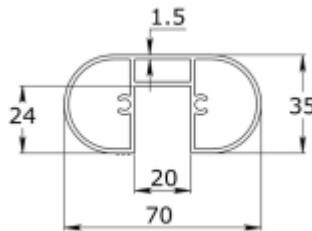


End Cap *

Capsule



HA-24



ESSENTIAL DETAILS

- **Use** : Indoor & Outdoor
- **Material** : Aluminium Alloy 6063-T6
- **Height** : 13 feet and 16 feet
EPDMGasket(Approx.0.070kg/Feet)
- **Weight** : 0.320kg - 0.350kg (1 feet)
- **Finish** : Natural
Anodizing
Powder Coating
Wooden Coating
PVDF Coating



Wall Concealed



Connector *



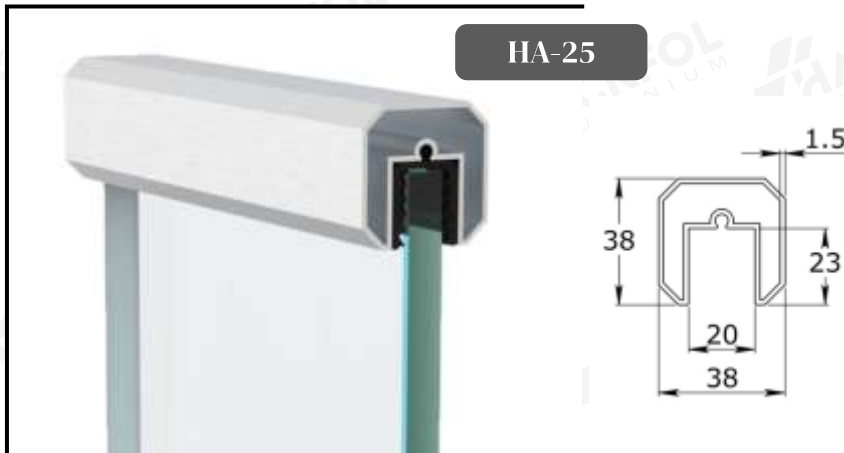
Elbow *



End Cap *

Anodized finish is not available on Connector, Elbow and End Cap accessories.

38 X 38 Octagon



ESSENTIAL DETAILS

- **Use** : Indoor & Outdoor
- **Material**: Aluminium Alloy 6063-T6
- **Height** : 13 feet and 16 feet
EPDM Gasket (Approx. 0.070kg/Feet)
- **Weight** : 0.220kg - 0.250kg (1 feet)
- **Finish** : Natural
Anodizing
Powder Coating
Wooden Coating
PVDF Coating



Wall Concealed



Connector *

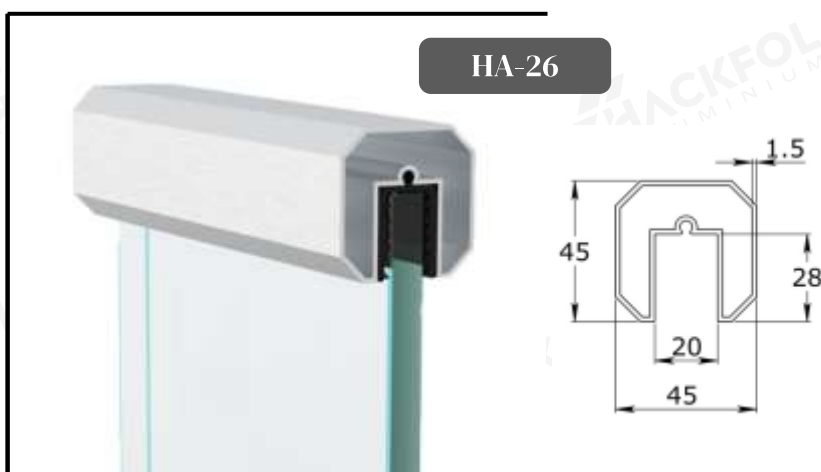


Elbow *



End Cap *

45 X 45 Octagon



ESSENTIAL DETAILS

- **Use** : Indoor & Outdoor
- **Material** : Aluminium Alloy 6063-T6
- **Height** : 13 feet and 16 feet
EPDM Gasket (Approx. 0.085kg/Feet)
- **Weight** : 0.260kg - 0.290kg (1 feet)
- **Finish** : Natural
Anodizing
Powder Coating
Wooden Coating
PVDF Coating



Wall Concealed



Connector *



Elbow*



End Cap *

Anodized finish is not available on Connector, Elbow and End Cap accessories.

38mm Round Plain

HA-27



ESSENTIAL DETAILS

- **Use** : Indoor & Outdoor
- **Material**: Aluminium Alloy 6063-T6
- **Height** : 13 feet and 16 feet
- **Weight** : 0.130kg - 0.150kg (1 feet)
- **Finish** : Natural
Anodizing
Powder Coating
Wooden Coating
PVDF Coating



Plain Wall Concealed *



Plain Connector *



Modular Elbow*



Plain End Cap *

50mm Round Plain

HA-28



ESSENTIAL DETAILS

- **Use** : Indoor & Outdoor
- **Material** : Aluminium Alloy 6063-T6
- **Height** : 13 feet and 16 feet
- **Weight** : 0.180kg - 0.210kg (1 feet)
- **Finish** : Natural
Anodizing
Powder Coating
Wooden Coating
PVDF Coating



Plain Wall Concealed *



Plain Connector *



Modular Elbow*



Plain End Cap *

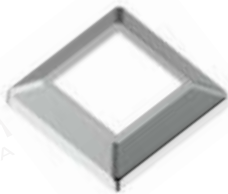
40 X 40 Square Plain



HA-29

ESSENTIAL DETAILS

- **Use** : Indoor & Outdoor
- **Material**: Aluminium Alloy 6063-T6
- **Height** : 13 feet and 16 feet
- **Weight** : 0.180kg - 0.210kg (1 feet)
- **Finish** : Natural
Anodizing
Powder Coating
Wooden Coating
PVDF Coating



Plain Wall Concealed *



Plain Connector *

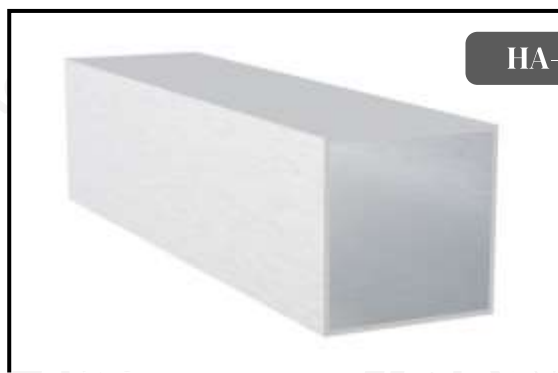


Modular Elbow*



Plain End Cap *

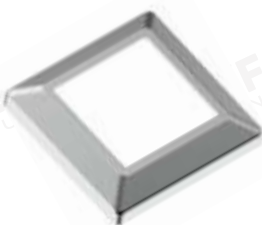
50 X 50 Square Plain



HA-30

ESSENTIAL DETAILS

- **Use** : Indoor & Outdoor
- **Material** : Aluminium Alloy 6063-T6
- **Height** : 13 feet and 16 feet
- **Weight** : 0.210kg - 0.230kg (1 feet)
- **Finish** : Natural
Anodizing
Powder Coating
Wooden Coating
PVDF Coating



Plain Wall Concealed *



Plain Connector *



Modular Elbow*



Plain End Cap *

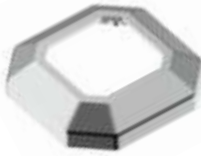
Anodized finish is not available on Connector, Elbow and End Cap accessories.

38 X 38 Octagon Plain



ESSENTIAL DETAILS

- **Use** : Indoor & Outdoor
- **Material**: Aluminium Alloy 6063-T6
- **Height** : 13 feet and 16 feet
- **Weight** : 0.150kg - 0.170kg (1 feet)
- **Finish** : Natural
Anodizing
Powder Coating
Wooden Coating
PVDF Coating



Plain Wall Concealed *



Plain Connector *

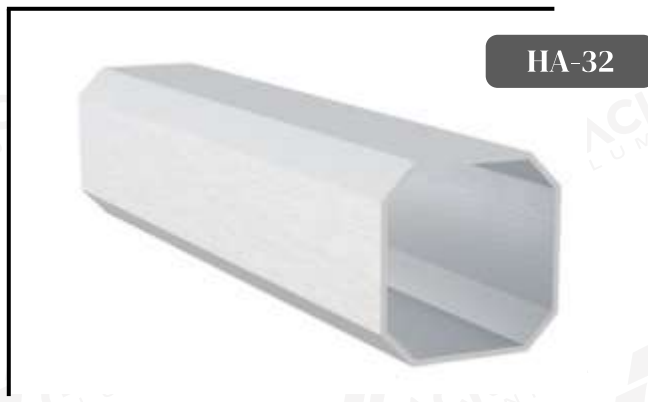


Modular Elbow*



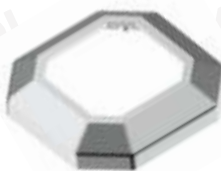
Plain End Cap *

45 X 45 Octagon Plain



ESSENTIAL DETAILS

- **Use** : Indoor & Outdoor
- **Material** : Aluminium Alloy 6063-T6
- **Height** : 13 feet and 16 feet
- **Weight** : 0.190kg - 0.290kg (1 feet)
- **Finish** : Natural
Anodizing
Powder Coating
Wooden Coating
PVDF Coating



Plain Wall Concealed *



Plain Connector *



Modular Elbow*



Plain End Cap *

Anodized finish is not available on Connector, Elbow and End Cap accessories.

L-CONNECTOR FOR PLAIN HANDRAIL



Elevate your space with our cutting-edge staircase railing connector. Combining exquisite design and unmatched durability, they redefine elegance. Achieve safety without sacrificing style. Join those who've chosen innovation. Make a bold statement with our premium connector and leave a lasting impression in your space.

HA-01



1.

HA-02



2.

HA-03



3.

HA-04



4.

L-CONNECTOR FOR WALL MOUNT



Elevate your space with our cutting-edge staircase railing connector. Combining exquisite design and unmatched durability, they redefine elegance. Achieve safety without sacrificing style. Join those who've chosen innovation. Make a bold statement with our premium connector and leave a lasting impression in your space.

HA-05



1.

HA-06



2.

HA-07



3.

HA-08



4.

GLASS TO GLASS CONNECTOR



HA-05



HA-06



STRAIGHT CONNECTOR

L-CONNECTOR

PIPE TO PIPE CONNECTOR



STRAIGHT CONNECTOR PATTI



L-CONNECTOR PATTI



MODULAR CONNECTOR PATTI

01 10 X 100 RCC PVC Wall Plug Screw Anchor

02 12.5 X 100 Steel Adhesive Anchor

03 12.5 X 75 Steel Adhesive Anchor

04 10 X 75 Steel Adhesive Anchor

01



02



03



04



ELEVATING YOUR SPACE

INDUSTRY BY INDUSTRY...
BRAND BY BRAND...



CORPORATE OFFICES



Shope No. FF2, Sorathiya Park-1, Balaji Complex,
Nr. Labhdeep Society, Mavdi Road, Rajkot (Gujarat) India.



Nilesh Gajjar - **+91 80002 36078** | Ketan Patel - **+91 99091 65868**



hackfol.rajkot@gmail.com

www.hackfolaluminium.com

